

chinapan

Hamburger Hot dog
& Baguette Tray Series

汉堡热狗法式烤盘



3.5*15连弧形方条汉堡烤盘(特氟龙)
4*15连弧形方条汉堡烤盘(特氟龙)

3.5" Hamburger Bun Tray-15 Molds (Teflon)
4" Hamburger Bun Tray-15 Molds (Teflon)

CS1540	600X400X45 (ø93X84X15)	
CS1541	600X400X45 (ø102X94X15)	



8连长条面包方条
烤盘(特氟龙)

Hot Dog Bun Tray-8 Molds (Teflon)

CS1542	600X400X45 (243X55X16)	
--------	---------------------------	--



12连长条面包方条
烤盘(特氟龙)

Hot Dog Bun Tray-12 Molds (Teflon)

CS1543	600X400X45 (143X56X15)	
--------	---------------------------	--



15连长条面包方条烤盘(特氟龙)

Hot Dog Bun Tray-15 Molds (Teflon)

CS1544	600X400X45 (180X28X16)	
--------	---------------------------	--



12连长条面包方条烤盘(特氟龙)

Hot Dog Bun Tray-12 Molds (Teflon)

CS1545	600X400X40 (210X30X10)	
--------	---------------------------	--

大型工业
自动线用盘
Large Industrial Automatic
Line With Plate



18连热狗盘(特氟龙)

Hot Dog Bun Tray-18 Molds (Teflon)

DZ1410005	738X503X34	
-----------	------------	--



15连5寸汉堡盘(特氟龙)

Hot Dog Bun Tray-15 Molds (Teflon)

DZ1410006	738X503X39	
-----------	------------	--

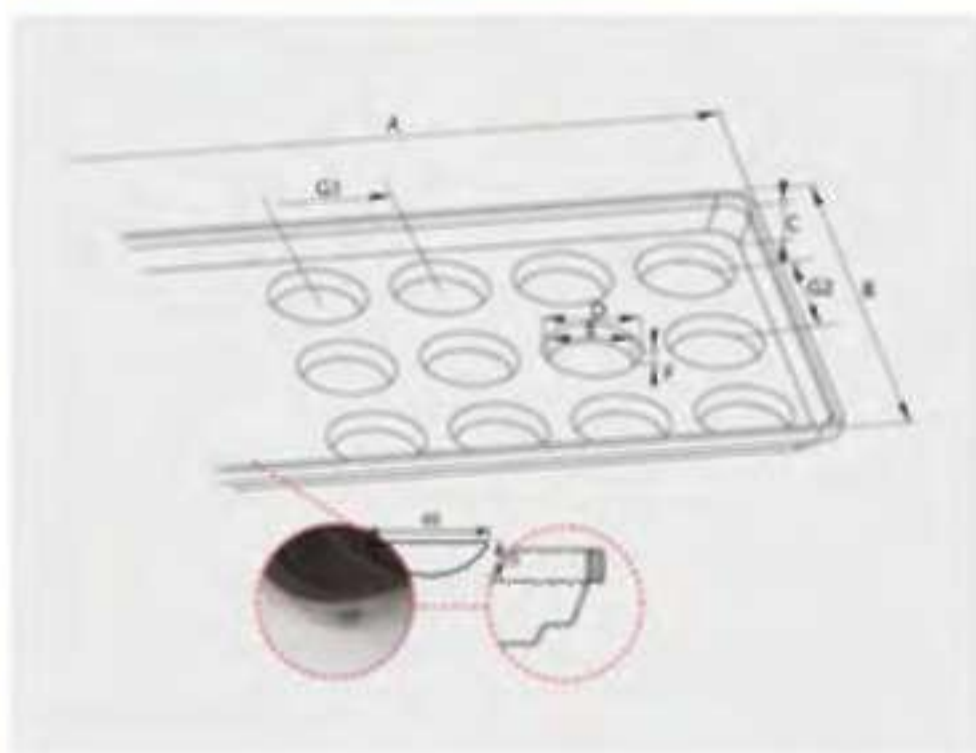


24连4寸汉堡盘(特氟龙)

Hot Dog Bun Tray-24 Molds (Teflon)

DZ1410007	738X503X39	
-----------	------------	--

定制汉堡盘 Customised Hamburger Bun Pan



只要少许信息我们就生产你所需要的产品
With only a few specifications we can manufacture your customized products

- A. 烤盘外径 (长)
- B. 烤盘外径 (宽)
- C. 高
- D. 中腔上口直径
- E. 中腔下口直径
- F. 中腔高度
- G1/G2. 中腔中心与中心的距离

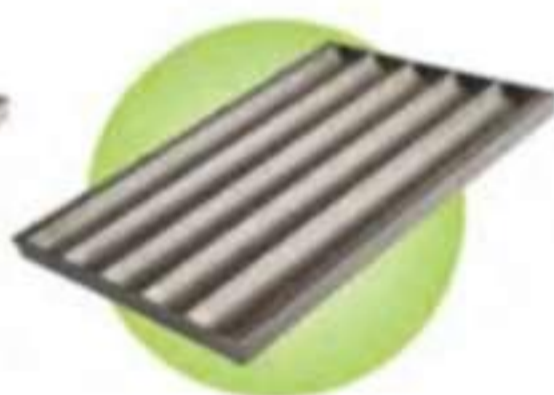
- A Overall Length
- B Overall Width
- C Height
- D Top-in Diameter
- E Bottom-in Diameter
- F Cup Depth
- G1/G2 Center-to-center distance



4槽法式烤盘 (特氟龙)
4 slots Baguette Tray (Teflon)

厚度/Thickness 1.0mm

CS1602 600X400X30



5槽法式烤盘 (特氟龙)
5 slots Baguette Tray (Teflon)

厚度/Thickness 1.0mm

CS1603 600X400X30



4槽法式烤盘 (特氟龙)
4 slots Baguette Tray (Teflon)

厚度/Thickness 1.0mm

CS1612 600X400X35



5槽法式烤盘 (特氟龙)
5 slots Baguette Tray (Teflon)

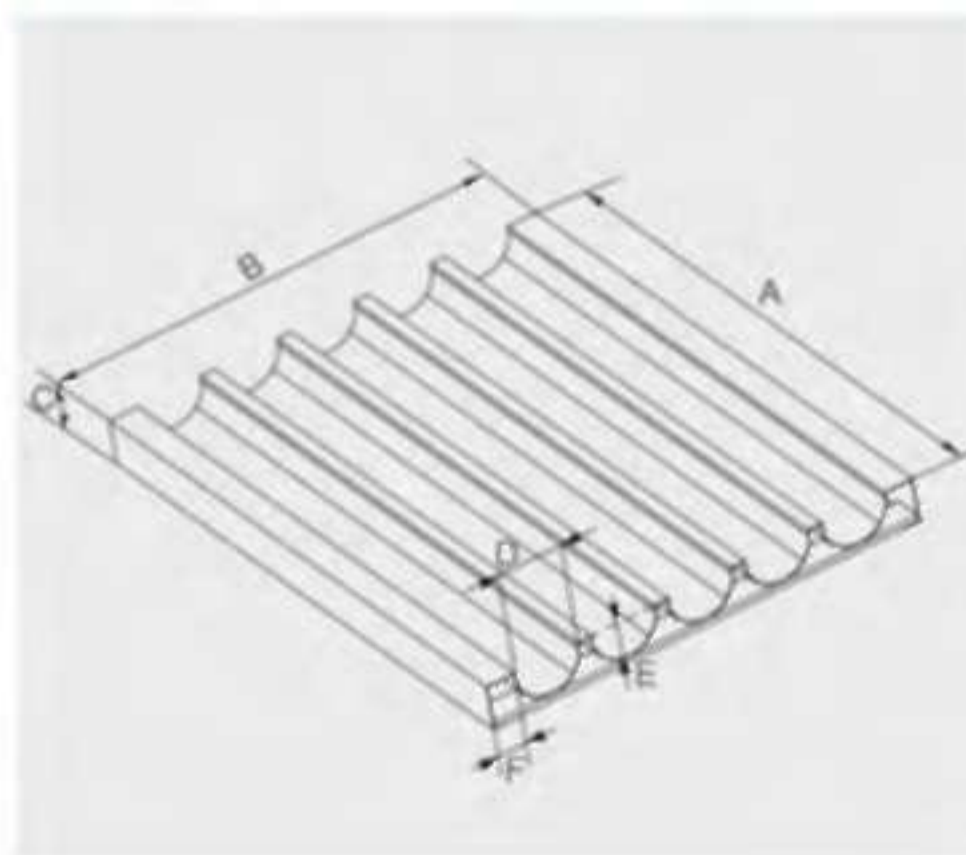
厚度/Thickness 1.0mm

CS1613 600X400X35



型号 Model	产品描述 Product	材质 Material	表面处理 Surface	局部图 Local	整体图 All
A	简易型 Open style	1.0/1.2mm铝合金 1.0/1.2mmAl	素面/特氟龙 No Coating/Teflon		
B	铝合金直角边框 Closed frame with straight corners	1.0/1.2mm铝合金 1.0/1.2mmAl	素面/特氟龙 No Coating/Teflon		
C	铝合金边框 拐角压铸件 Closed frame, corner of die-castings	1.0/1.2mm铝合金 1.0/1.2mmAl	素面/特氟龙 No Coating/Teflon		
D	铝合金圆角边框 Unique Al profile with round corners	1.0/1.2mm铝合金 1.0/1.2mmAl	素面/特氟龙 No Coating/Teflon		
E	不锈钢边框 Stainless steel frame	1.0/1.2mm铝合金 1.0/1.2mmAl	素面/特氟龙 No Coating/Teflon		

定制法烤 Customised Baguette Tray



只要少许信息我们就生产你所需要的产品
With a few specifications we could manufacture your customized product

- A. 法烤外径 (长)
- B. 法烤外径 (宽)
- C. 高
- D. 槽内宽
- E. 槽内高
- F. 边框宽度

- A Overall Length
- B Overall Width
- C Height
- D Row Width
- E Row Height
- F width of edge